

# **RIGOL**

## **Installation Guide**

### **DSA800-RMSA Rackmount Kit**

**For DSA800 Series Spectrum Analyzer**

**Jan. 2012**

**RIGOL Technologies, Inc.**



# Guaranty and Declaration

## Copyright

© 2012 RIGOL Technologies, Inc. All Rights Reserved.

## Trademark Information

**RIGOL** is a registered trademark of RIGOL Technologies, Inc.

## Publication Number

RKI06100-1110

## Notices

- **RIGOL** products are protected by patent law in and outside of P.R.C.
- **RIGOL** reserves the right to modify or change parts of or all the specifications and pricing policies at company's sole decision.
- Information in this publication replaces all previously corresponding material.
- **RIGOL** shall not be liable for losses caused by either incidental or consequential in connection with the furnishing, use or performance of this manual as well as any information contained.
- Any part of this document is forbidden to be copied or photocopied or rearranged without prior written approval of **RIGOL**.

## Product Certification

**RIGOL** guarantees this product conforms to the national and industrial standards in China. International standard conformance certification is in progress, e.g. ISO.

## Contact Us

If you have any problem or requirement when using our products, please contact **RIGOL** Technologies, Inc. or your local distributors, or visit: [www.rigol.com](http://www.rigol.com)

# Safety Terms and Symbols

**Terms in this Manual.** These terms may appear in this manual:



---

**WARNING**

Warning statements indicate the conditions or practices that could result in injury or loss of life.

---



---

**CAUTION**

Caution statements indicate the conditions or practices that could result in damage to this product or other property.

---

**Terms on the Product.** These terms may appear on the Product:

**DANGER** indicates an injury or hazard may immediately happen.

**WARNING** indicates an injury or hazard may be accessible potentially.

**CAUTION** indicates a potential damage to the instrument or other property might occur.

**Symbols on the Product.** These symbols may appear on the product:



**Hazardous Voltage**



**Refer to Instructions**



**Protective Earth Terminal**



**Chassis Ground**



**Test Ground**

---

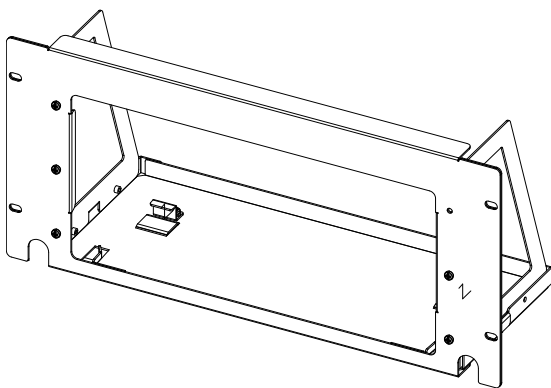
# Content

<b>Guaranty and Declaration .....</b>	<b>I</b>
<b>Safety Terms and Symbols.....</b>	<b>II</b>
<b>Product Overview .....</b>	<b>1</b>
Kit Parts List .....	1
Space Requirements for Installation .....	3
<b>Installation Introduction .....</b>	<b>4</b>
Installation Tool .....	4
Installation Procedures.....	4
Installation Cautions .....	7



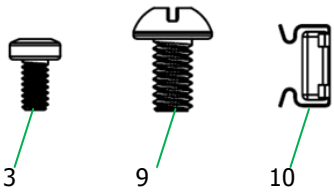
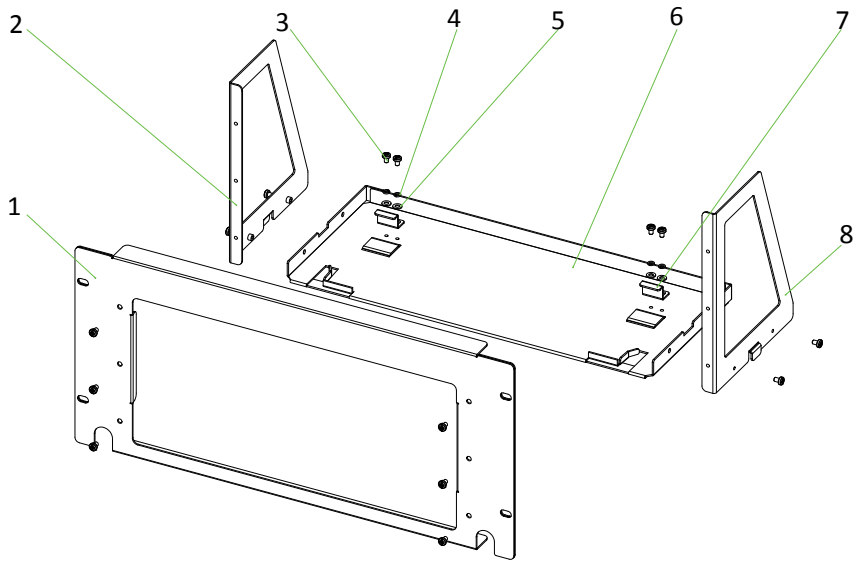
## Product Overview

DSA800-RMSA, the rackmount kit of DSA800 series spectrum analyzer, as shown below, is used to mount your analyzer into a standard 19-inch machine cabinet.



## Kit Parts List

No.	Name	Qty.	Description
1	Front Panel	1	
2	Left Plate	1	
3	M4 Screw	14	M4 x 8 Cross Recessed Pan Head Screw
4	Spring Washer	4	
5	Washer	4	
6	Support Board	1	
7	Retaining Bracket	2	
8	Right Plate	1	
9	M6 Screw	4	M6*16 Phil-Slot Pan Head Screw
10	M6 Nut	4	M6*5 Lock Blade Square Nut



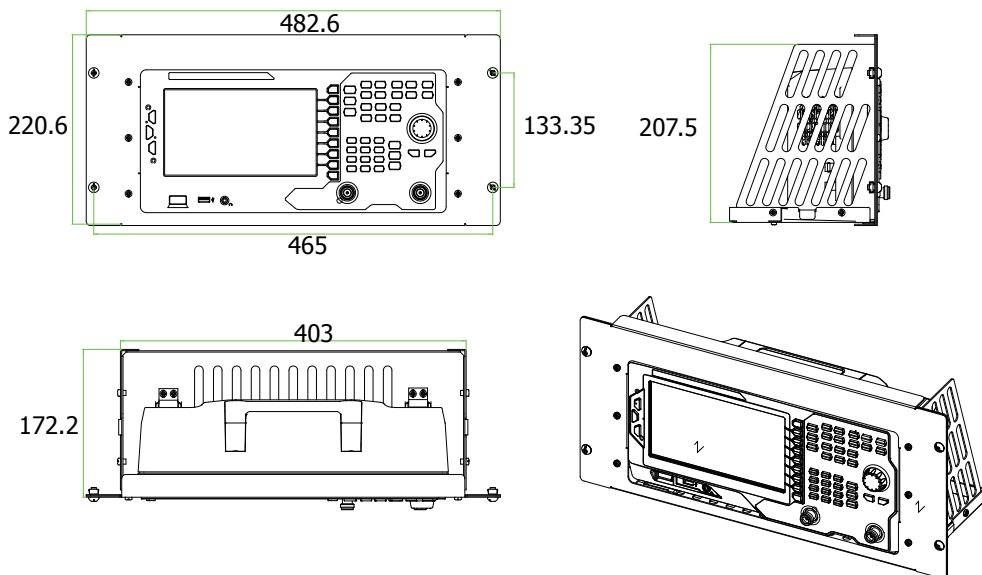


## Space Requirements for Installation

The following requirements must be fulfilled by the machine cabinet in which the instrument is mounted.

- Dimension of the machine cabinet must be standard 19-inch.
- At least 5U (222.2mm) space should be provided by the machine cabinet.
- The depth inside the machine cabinet should not be less than 200 mm.

The dimension of the instrument after being installed is shown below (the unit is mm).



# Installation Introduction

## Installation Tool

PH2 Phillips Screwdriver (recommended)

## Installation Procedures



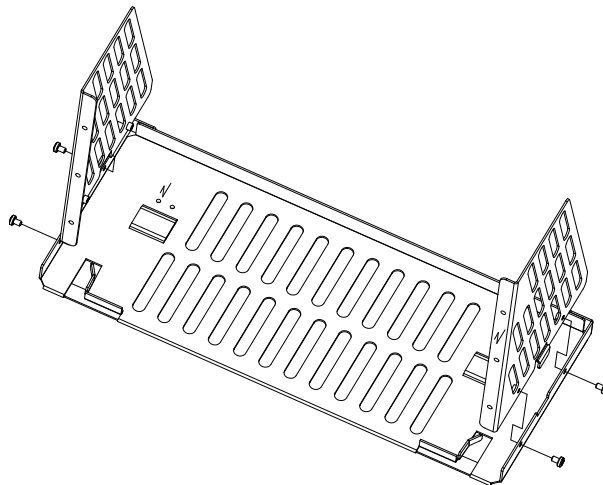
---

### CAUTION

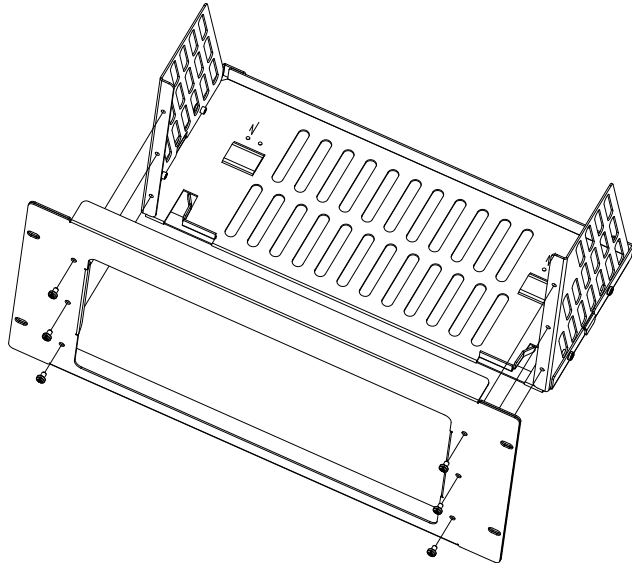
Only authorized operators can execute the installation operation because that the instrument will be damaged or installed in machine cabinet incorrectly if the installation is not proper.

---

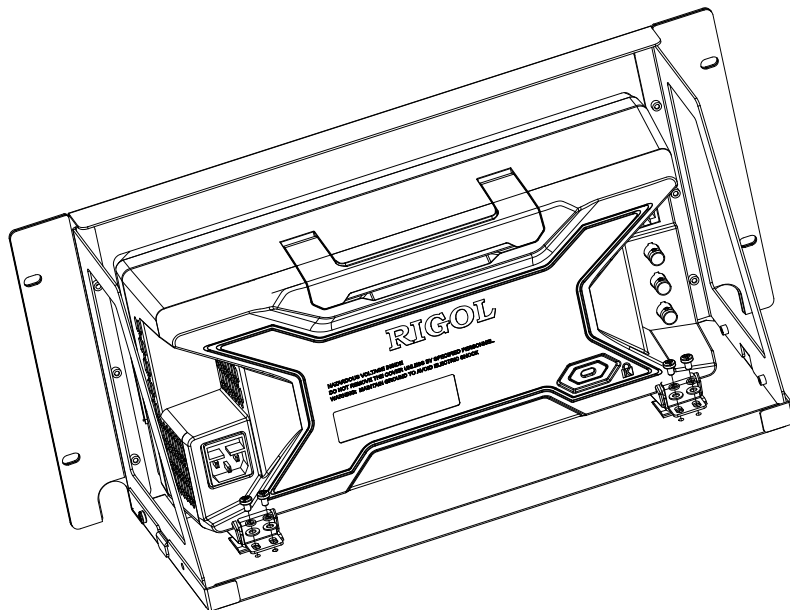
1. Install the right and left plates: aim the detents of the right and left plates at the openings on the support board and insert respectively, then fix them using four M4 screws.



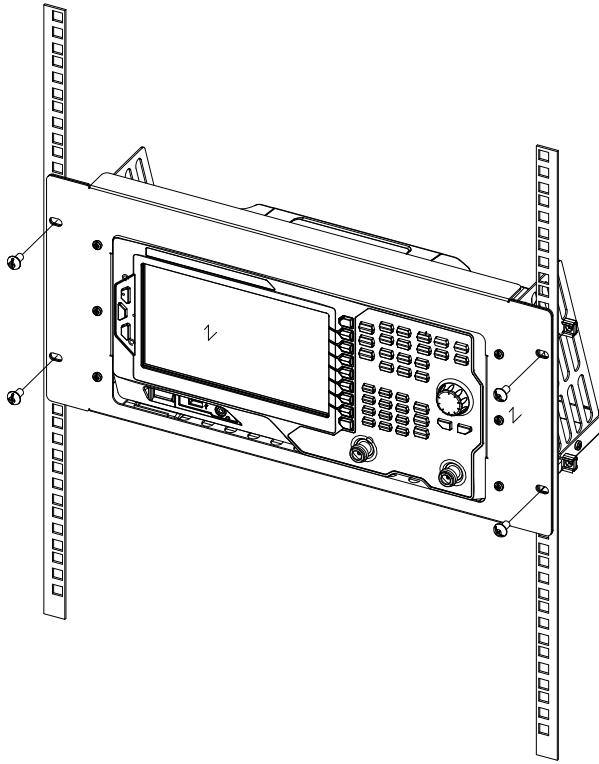
2. Install the front panel: let the screw holes fit well together and fix them with six M4 screws.



3. Place and fix the instrument: place the instrument into the confined position on the support board. Aiming the instrument front panel at the opening of the front panel of the rackmount kit and fix the instrument with four spring washers, four washers, two retaining brackets and four M4 screws.



4. Load into the machine cabinet: mount the rack with instrument fixed into a standard 19-inch machine cabinet using four M6 screws and square nuts.



## Installation Cautions

The rack holds a height of 5U, and the holes pointed out by the arrows are the mounting holes for the rack.

