

# **RIGOL**

## **Installation Guide**

### **DP1000 Series Rack Mount Kit**

**RM-DP-1**

**Feb. 2014**

**RIGOL Technologies, Inc.**

# Guaranty and Declaration

## Copyright

© 2011 RIGOL Technologies, Inc. All Rights Reserved.

## Trademark Information

**RIGOL** is a registered trademark of RIGOL Technologies, Inc.

## Publication Number

RKI06102-1110

## Notices

- **RIGOL** products are protected by patent law in and outside of P.R.C.
- **RIGOL** reserves the right to modify or change parts of or all the specifications and pricing policies at company's sole decision.
- Information in this publication replaces all previously corresponding materials.
- **RIGOL** shall not be liable for losses caused by either incidental or consequential in connection with the furnishing, use or performance of this manual as well as any information contained.
- Any part of this document is forbidden to be copied or photocopied or rearranged without prior written approval of **RIGOL**.

## Product Certification

**RIGOL** guarantees this product conforms to the national and industrial standards in China as well as the ISO9001:2008 standard and the ISO14001:2004 standard. Other international standard conformance certification is in progress.

## Contact Us

If you have any problem or requirement when using our products or this manual, please contact **RIGOL**.

E-mail: [service@rigol.com](mailto:service@rigol.com)

Website: [www.rigol.com](http://www.rigol.com)

# Safety Terms and Symbols

**Terms in this Manual.** These terms may appear in this manual:



## **WARNING**

Warning statements indicate the conditions or practices that could result in injury or loss of life.



## **CAUTION**

Caution statements indicate the conditions or practices that could result in damage to this product or other property.

**Terms on the Product.** These terms may appear on the Product:

**DANGER** indicates an injury or hazard may immediately happen.

**WARNING** indicates an injury or hazard may be accessible potentially.

**CAUTION** indicates a potential damage to the instrument or other property might occur.

**Symbols on the Product.** These symbols may appear on the product:



**Hazardous  
Voltage**



**Safety  
Warning**



**Protective  
Earth  
Terminal**



**Chassis  
Ground**



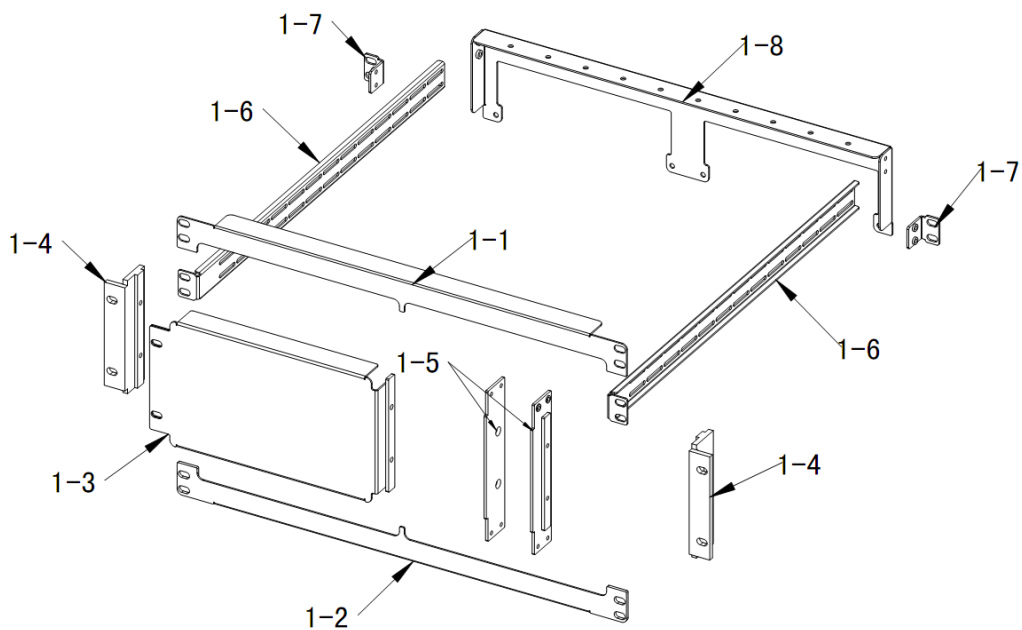
**Test  
Ground**

# Product Overview

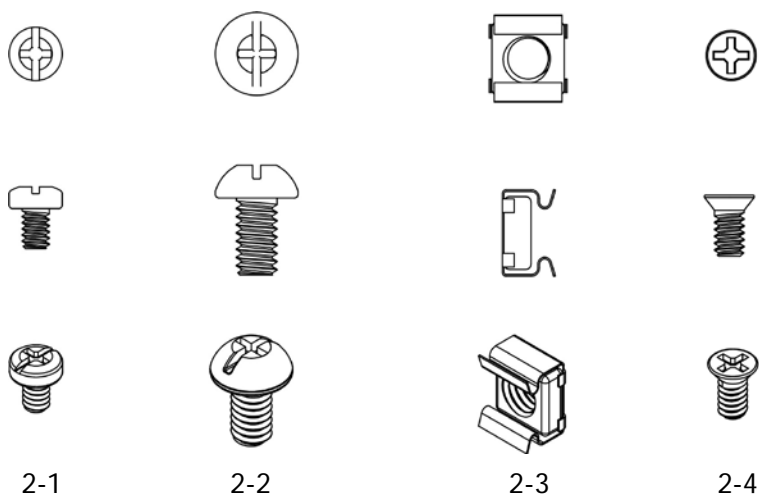
This product is used to rack mount the DP1000 series (DP1308A or DP1116A) programmable linear DC power to a standard 19-inch cabinet. Note that this manual takes DP1308A as an example for demonstration.

## Parts List

No.	Name	Qty.	Part Number	Description
1-1	Top Guard Strip	1	RM-DP-1-01	
1-2	Bottom Guard Strip	1	RM-DP-1-02	
1-3	Front Guard Board	1	RM-DP-1-03	
1-4	Instrument Fixing Part	2	RM-DP-1-04	
1-5	Instrument Interconnector	2	RM-DP-1-05	
1-6	Side Beam	2	RM-DP-1-06	
1-7	Side Beam Fixing Part	2	RM-DP-1-07	
1-8	Rear Support Stand	1	RM-DP-1-08	
2-1	M4 Screw	14	RM-SCREW-01	M4X6 Phil-Slot Pan Head Machine Screw Nail
2-2	M6 Screw	16	RM-SCREW-02	M6X16 Phil-Slot Pan Head Machine Screw Nail
2-3	M6 Nut	16	RM-SCREW-03	M6X5 Square Machine Female Screw Contain Lock Blade
2-4	M4 Countersunk Head Screw	8	RM-SCREW-04	M4X6 Cross Recessed Countersunk Head Machine Screw Nail



**Figure 1: Parts of the Rack Mount Kit**



**Figure 2: Screw Models**

## Space Requirement

The following requirements must be fulfilled by the machine cabinet in which the instrument is mounted:

1. Dimension of the machine cabinet must be standard 19-inch.
2. At least 4U (177.8 mm) space should be provided by the machine cabinet.
3. The depth of the machine cabinet should not be less than 460mm.

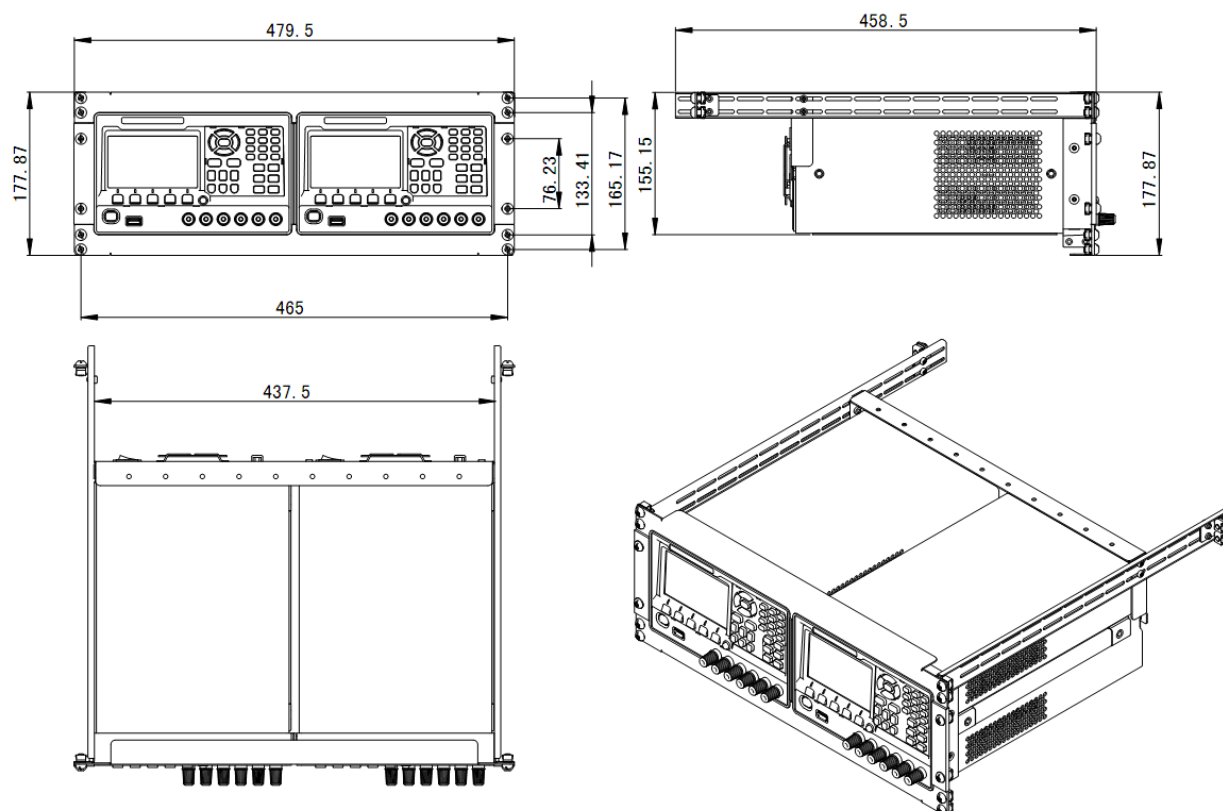


Figure 3: Dimension of the Instrument on the Rack

# Installation Instruction

## Installation Tool

A PH2 Phillips Screwdriver is recommended for installation.



### CAUTION

Only authorized operators can execute the installation operation. The instrument may be damaged or installed in rack incorrectly if the installation is not proper.

## Installation Procedures

1. Remove the front and rear rubber covers: tear the front rubber cover off from the instrument, then take off the two M4 screws at the rear panel, and at last remove the tilt tabs and the rear rubber cover.

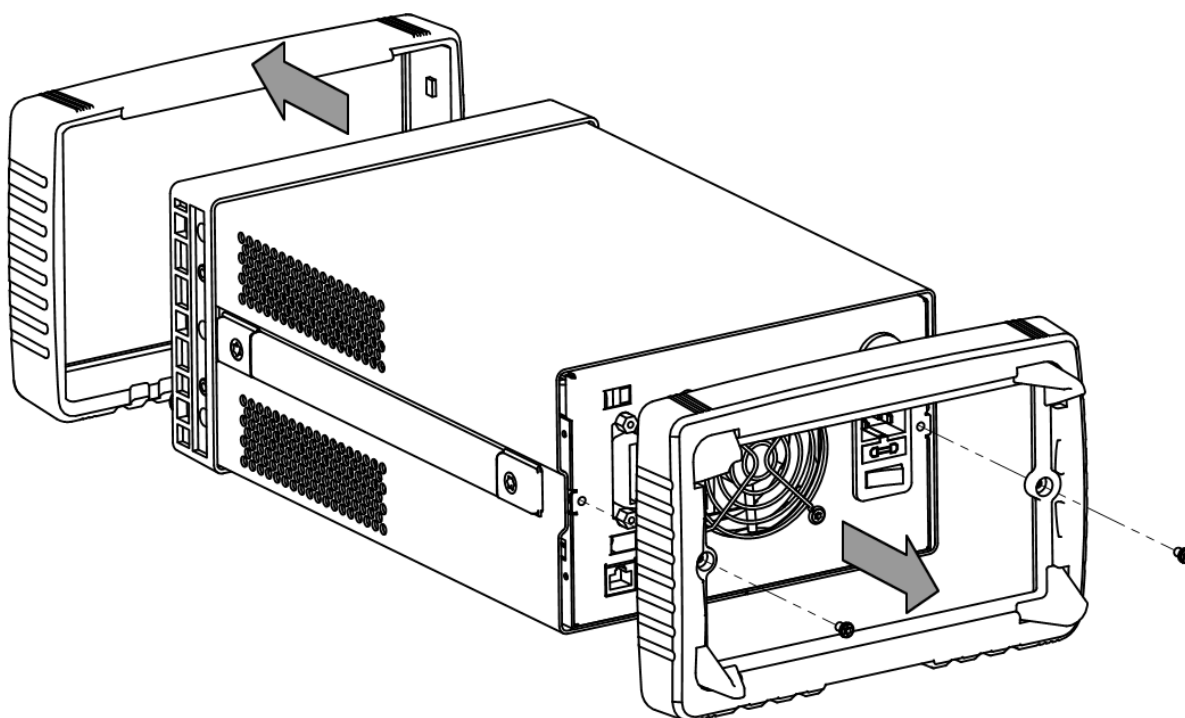
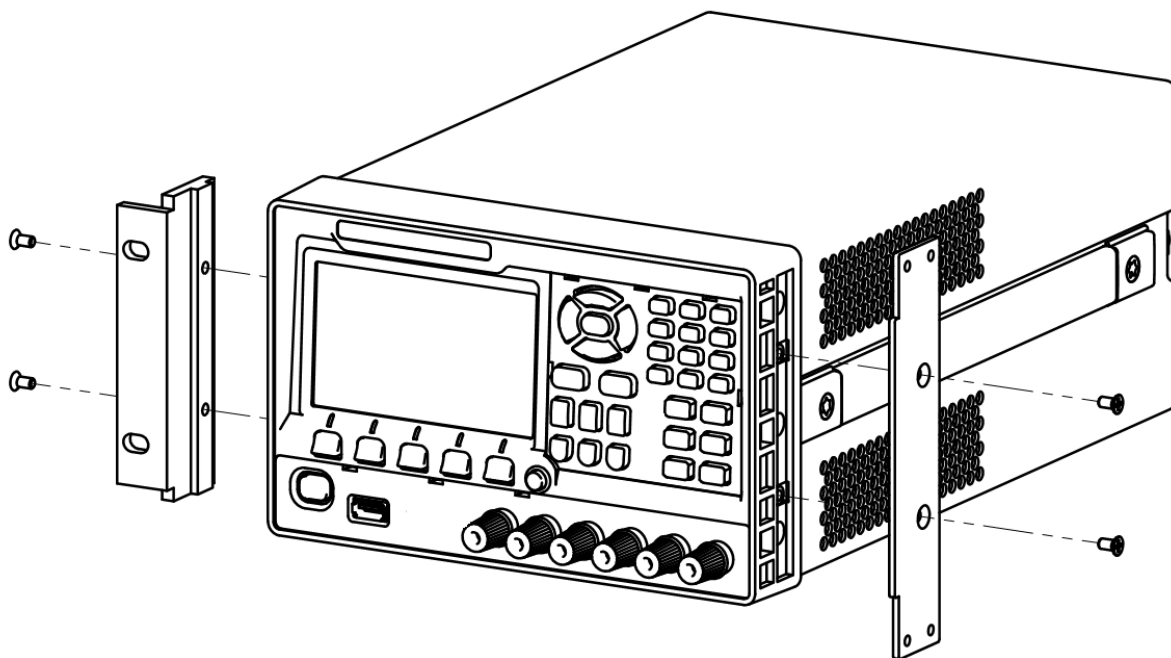


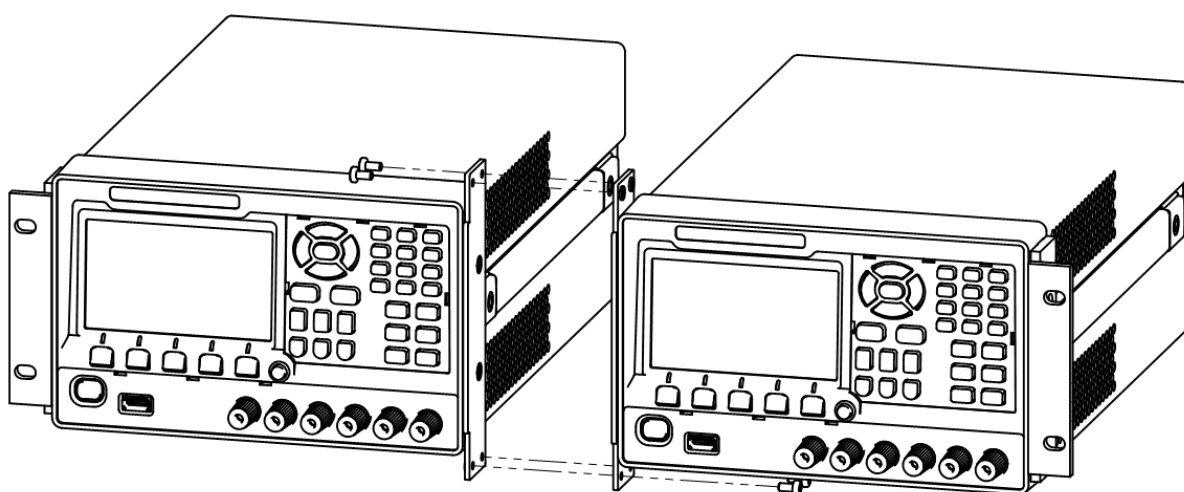
Figure 4: Remove the Front and Rear Rubber Covers

2. Install the joint parts: align the convexes on the fixing part and interconnector of the instrument with the grooves on both sides of the instrument and insert them into the grooves, then fix them with four M4 countersunk head screws.



**Figure 5: Install the Joint Parts**

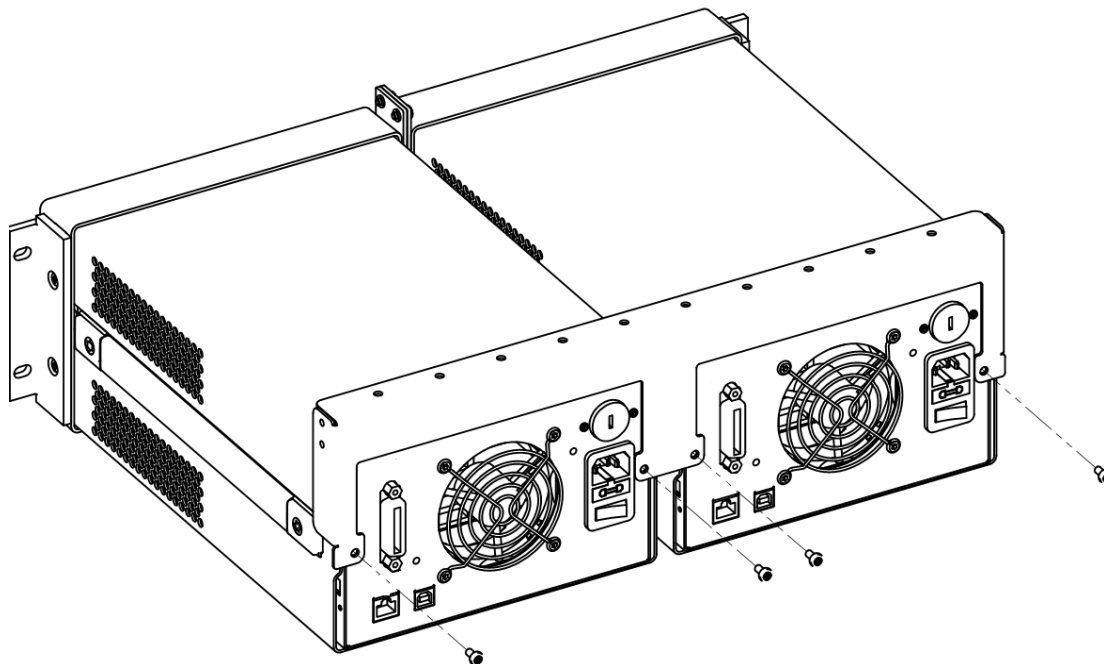
3. Interconnect two Instruments: place two instruments side by side, align the holes on the interconnectors of the two instruments and fix them with 4 M4 screws.



**Figure 6: Interconnect two Instruments**

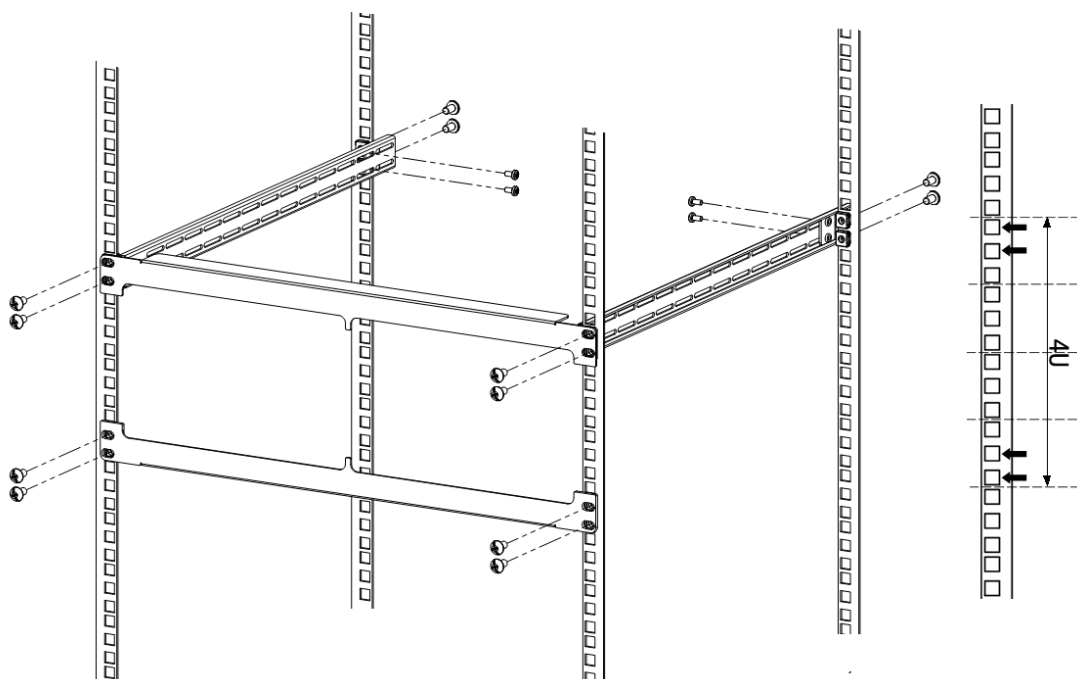


4. Install the rear support stand: align the four holes on the rear support stand with the four holes on the rear panels of the two instruments and fix the rear support board with 4 M4 screws.



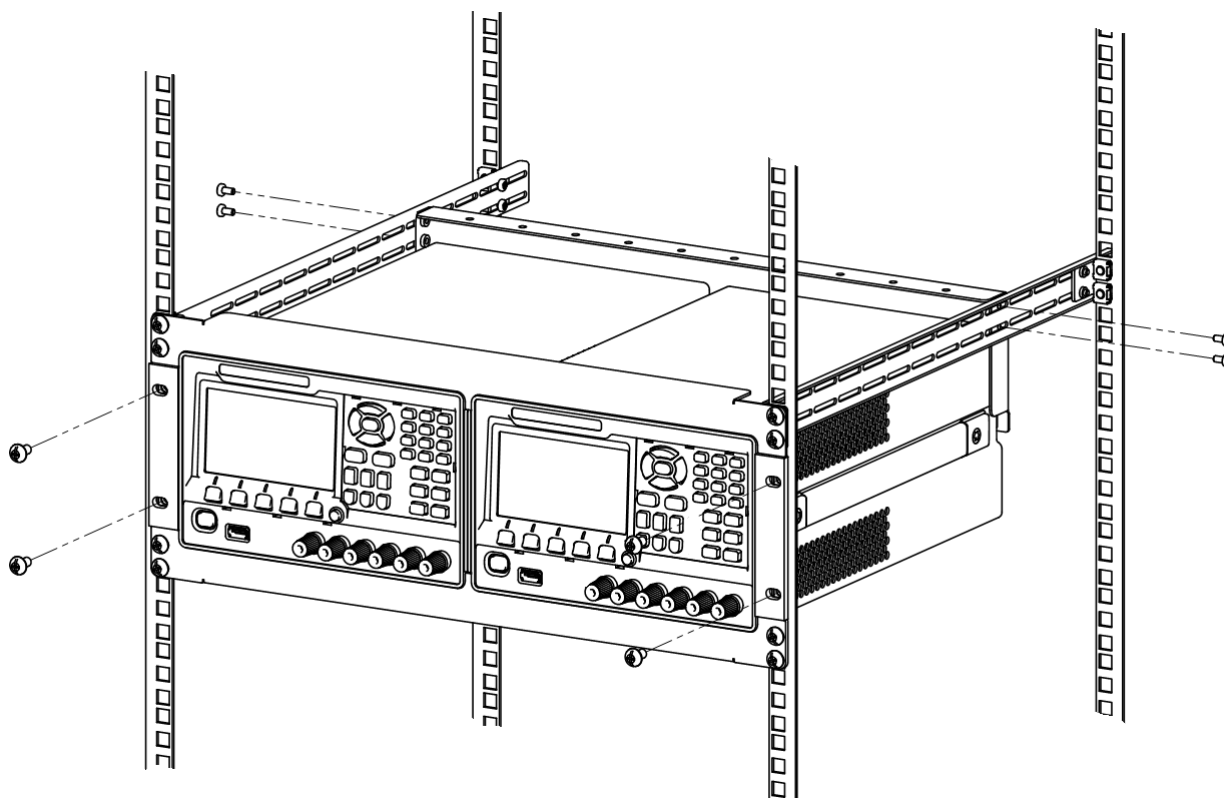
**Figure 7: Install the Rear Support Stand**

5. Install the Fixing Accessories on the Cabinet: use 1 top guard strip, 1 bottom guard strip, 2 side beams and 2 side beam fixing accessories to form a frame used to fix the instrument by aligning them with the corresponding holes on the cabinet and then fix them using 12 M6 screws, 12 M6nuts and 4 M4 screws. The correct hole positions are as pointed out by the black arrows in the figure below.



**Figure 8: Install the Fixing Accessories on the Cabinet**

- Put into the Cabinet: put the fixed instruments into a standard 19-inch cabinet and use 4 M6 screws, 4 M6 square nuts and four M4 screws to fix them.

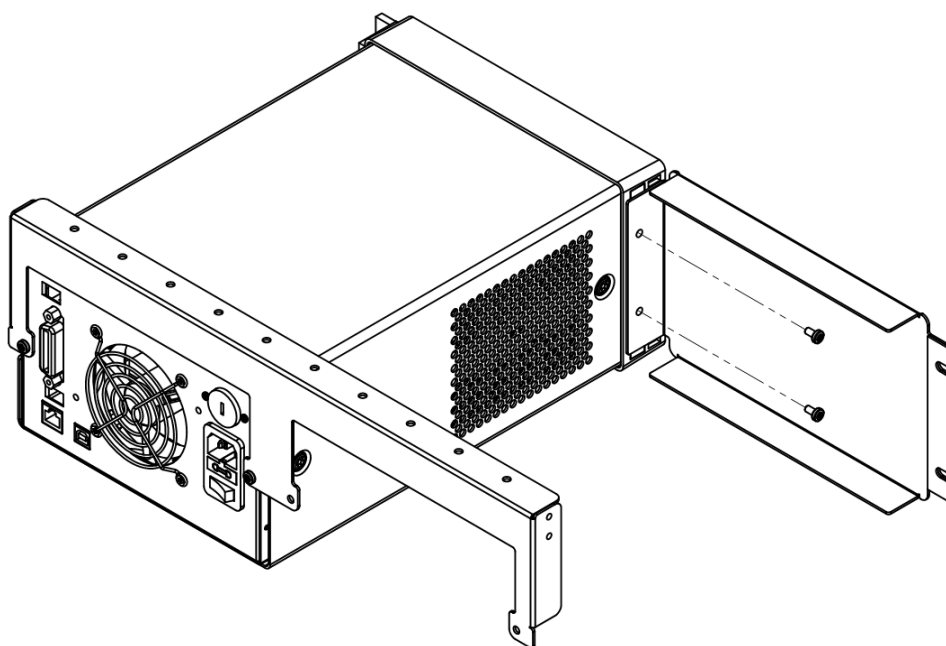


**Figure 9 Put into the Cabinet**

## Installation Notice

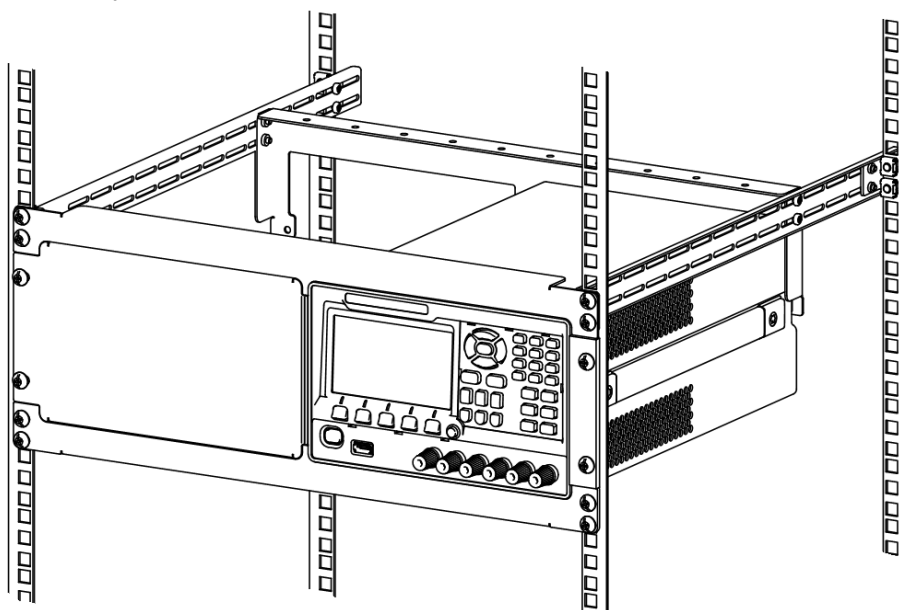
This rack mount kit can also be used to fix one instrument into the standard 19-inch cabinet.

1. Install the front guard board: place a front guard board at the place of the other instrument and use 2 M4 screws to fix it with the instrument installed.



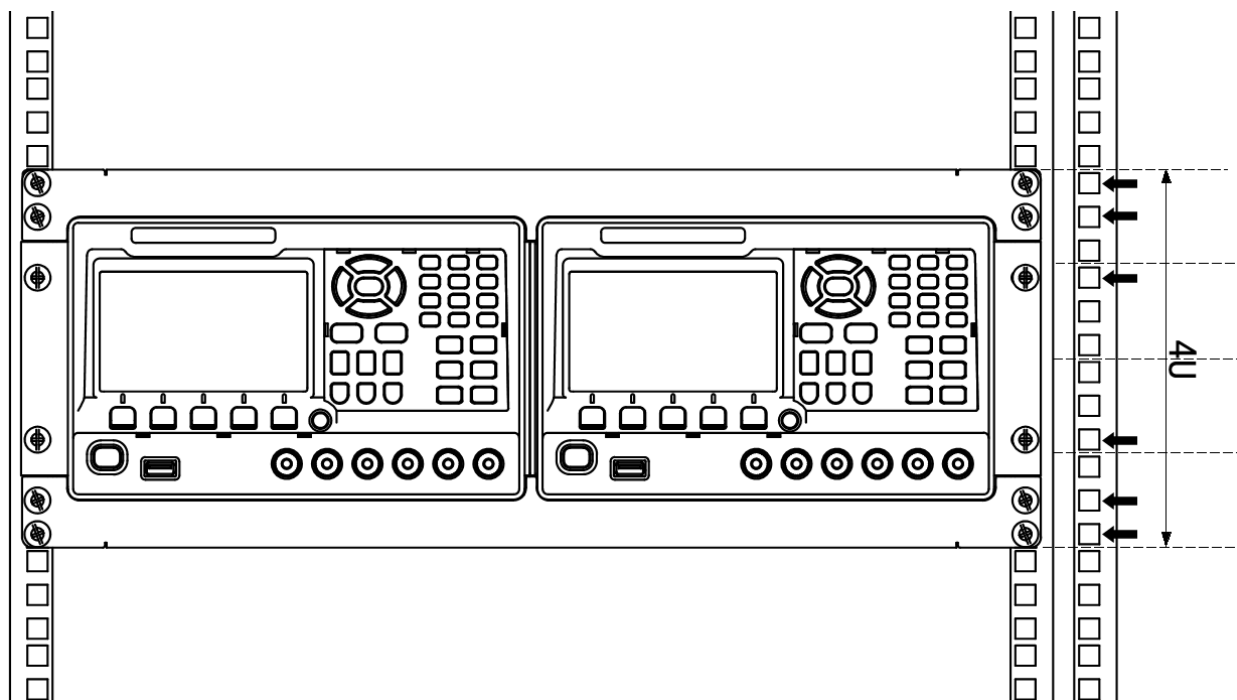
**Figure 10: Install the Front Guard Board**

2. Put into the cabinet: put the fixed instrument into the standard 19-inch cabinet and fix it using 4 M6 screws, 4 M6 square nuts and 4 M4 screws.



**Figure 11: Put into the Cabinet**

The rack occupies a height of 4U. The holes pointed out by the arrows are the installation holes and note that they must be aligned while installing.



**Figure 12: Installation Hole Positions on the Rack**